

# Fan accessories

## Table of contents

Flange FREA .....	2
Clamping band KBAA .....	3
Flange FRCA .....	4
Flange FODA .....	5
Sleeve coupling SREA, AREA .....	6
Sleeve coupling POBA, AOBA .....	7
Sleeve coupling SRGA, ARG, RRAA .....	8
Sleeve coupling POAA, AOAA, ROAA .....	9
Vibration damper LDTA .....	10
KRVX V-belt drive .....	12

## Flange FREA

The FREA flange is made from hot-dip galvanised steel sheeting

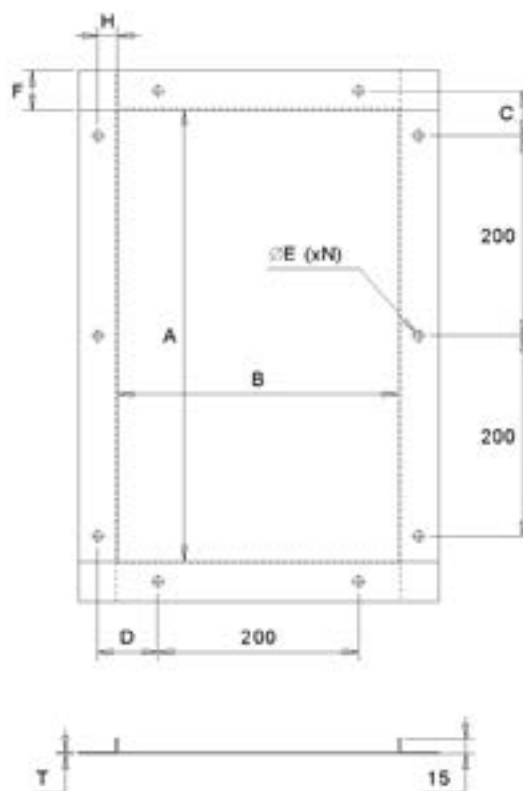
### Dimensions

FREA	A	B	C	D	E	G*	H	F	N	T
025	250	160	45	100	10	M8	20	40	6	2
031	315	200	77.5	120	10	M8	20	40	6	2
040	400	250	20	45	10	M8	20	40	10	2
045	450	280	45	60	10	M8	20	40	10	2
050	500	315	70	77.5	10	M8	20	40	10	2
063	630	400	35	120	10	M8	20	40	12	2
071	710	450	75	45	10	M8	20	40	14	2
080	800	500	20	70	10	M8	20	40	16	2
090	900	560	75	105	12	M10	25	50	16	2
100	1,000	630	25	140	12	M10	25	50	18	2
112	1,120	710	85	80	12	M10	25	50	20	2
125	1,250	800	50	125	12	M10	25	50	22	2
132	1,320	850	85	50	12	M10	25	50	24	2
140	1,400	900	25	75	12	M10	25	50	26	2

\* Suitable bolt size

### FREA Specifications

Item No. = FREA -	1	AAA
Size		
025		025
031		031
039, 040		040
044, 045		045
050		050
063		063
071, 072		071
080		080
089, 090, 091		090
100, 101		100
112		112
125		125
132		132
140, 141		140



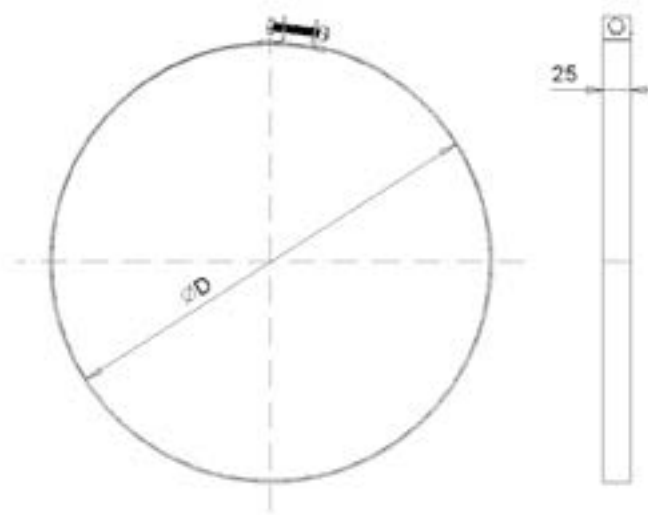
## Clamping band KBAA

KBAA is manufactured from hot-dip galvanised steel sheeting and is provided with a clamping bolt.

KBAA is prepared for the attachment of the POBA plastic fibre sleeve coupling.

### KBAA Specifications

Item No. = KBAA	-	1	-	AAA
<b>Size (Ø / Fan FML, FKL)</b>				
Ø 254 / FML 025				025
Ø 319 / FML 031				031
Ø 404 / FML 039, 040, 044, 045				040
Ø 504 / FML 050				050
Ø 630 / FML 063, 071, 072				063
Ø 714 / FML 080				071
Ø 804 / FKL 090				080
Ø 904 / FKL 100, 101				090
Ø 1,004 / FKL 112				100
Ø 1,124 / FKL 125				112
Ø 1,254 / FKL 132, 140, 141				125



## Flange FRCA

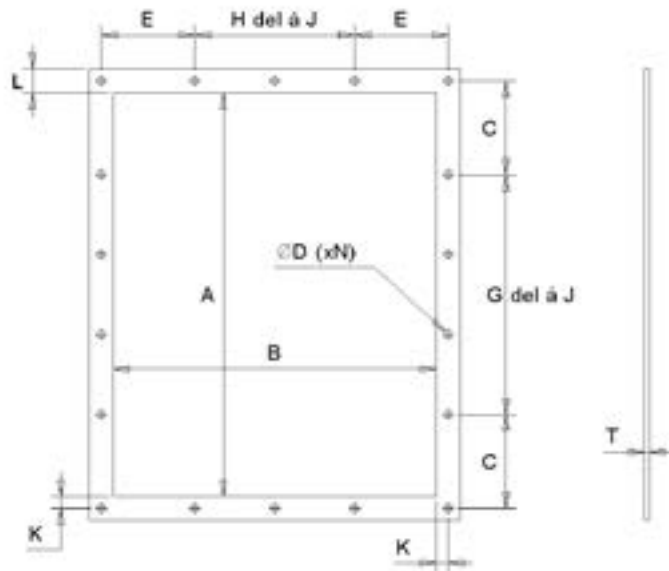
The FRCA flange is designed for the FAM medium pressure fan and FAH high-pressure fan. Available unpainted or painted.

### Dimensions

FRCA	A	B	C	D	E	G	H	J	K	L	N	T
010	104	84	67	10	114				15	30	6	4
012	129	104	79.5	10	67				15	30	8	4
016	164	129	97	10	79.5				15	30	8	4
020	204	164	117	10	97				15	30	8	4
025	254	204	92	10	117	1		100	15	30	10	6
031	319	254	74.5	10	92	2	1	100	15	30	14	6
040	404	319	117	10	74.5	2	2	100	15	30	16	6
050	504	404	117	10	117	3	2	100	15	30	18	6
063	636	506	113	12	123	3	2	150	20	40	18	8
071	716	566	153	12	153	3	2	150	20	40	18	8
080	806	636	123	12	113	4	3	150	20	40	22	8
090	906	716	98	12	153	5	3	150	20	40	24	8
100	1,006	806	148	12	123	5	4	150	20	40	26	8
112	1,126	906	188	12	178	4	3	200	25	50	22	10

### FRCA Specifications

Item No. = FRCA	-	1	-	AAA	-	B
<b>Size</b>						
010				010		
012				012		
016				016		
020				020		
025				025		
031				031		
040				040		
050				050		
063				063		
071				071		
080				080		
090				090		
100				100		
112				112		
<b>Version</b>						
Unpainted						0
Painted						1

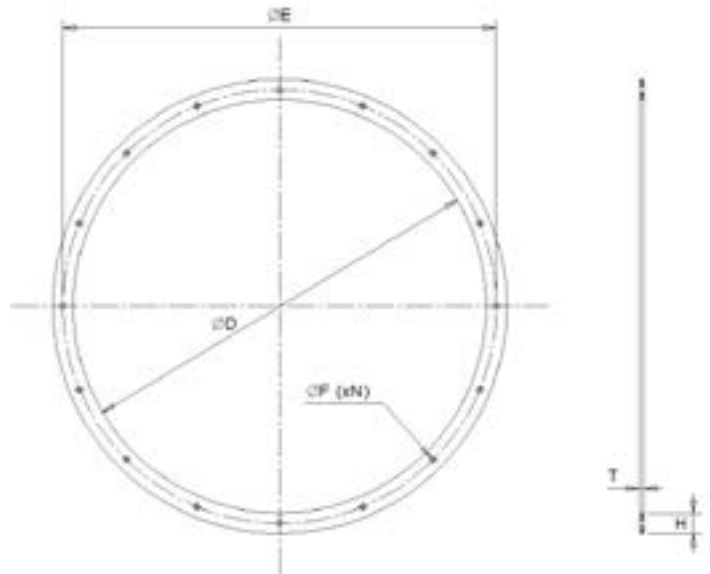


## Flange FODA

The FODA flange is designed for these fans: FAM, FAH, RGFA, RGFB, LPMA and LPMB.

### Dimensions

FODA	D	E	N	F	H	T
010	104	130	6	10	25	4
012	129	155	6	10	25	5
016	165	190	6	10	25	5
020	204	230	8	10	25	5
025	254	280	8	10	25	5
031	322	352	12	10	30	5
035	354	385	12	10	30	5
040	404	435	12	10	30	5
045	454	485	12	10	30	5
050	504	535	16	10	30	5
056	565	595	16	10	30	5
060	605	645	16	12	40	6
063	637	677	16	12	40	6
071	720	755	16	12	40	8
080	805	845	16	12	40	8
090	905	945	24	12	40	8
100	1,005	1,045	24	12	40	8
112	1,125	1,165	24	12	40	8



### Axial fan FODA – Specifications

Item No. = FODA - 1	AAA	B
<b>Size</b>		
010	010	
012	012	
016	016	
020	020	
025	025	
031	031	
035	035	
040	040	
045	045	
050	050	
056	056	
060	060	
063	063	
071	071	
080	080	
090	090	
100	100	
112	112	
<b>Version</b>		
Unpainted		0
Painted		1

## Sleeved coupling SREA, AREA

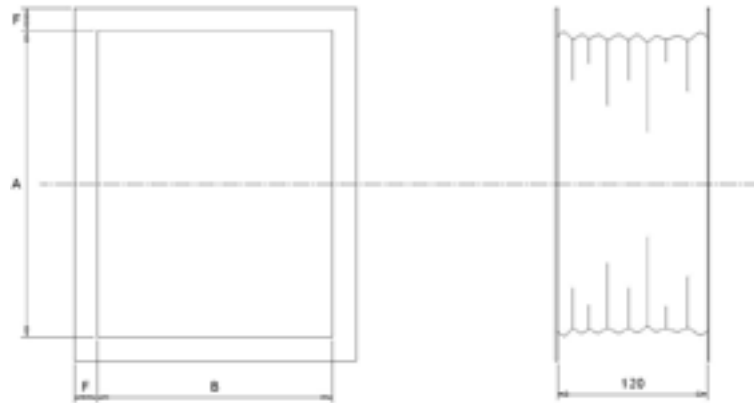
The SREA flange sleeve coupling is made of plastic fibre.  
Tmax = 80°C

The AREA sleeve coupling is made from aluminium-coated fibreglass (flange accessories, FREA). Tmax = 350°C

The SREA sleeve coupling has no flanges. The AREA sleeve coupling has no flanges (flange accessories, FREA).

### Dimensions

SREA/AREA	A	B	F
025	250	160	40
031	315	200	40
040	400	250	40
045	450	280	40
050	500	315	40
063	630	400	40
071	710	450	40
080	800	500	40
090	900	560	50
100	1,000	630	50
112	1,120	710	50
125	1,250	800	50
132	1,320	850	50
140	1,400	900	50



### Specifications

AREA, aluminium covered fibreglass

SREA, plastic fibre

Item No. = AREA	-	1	-	AAA
Item No. = SREA	-	1	-	AAA
<b>Size</b>				
025				025
031				031
039, 040				040
044, 045				045
050				050
063				063
071, 072				071
080				080
089, 090, 091				090
100, 101				100
112				112
125				125
132				132
140, 141				140

## Sleeve coupling POBA, AOBA

Plastic fibre sleeve coupling POBA. Tmax = 80°C

Aluminium covered fibreglass sleeve coupling AOBA. Tmax = 350°C

Plastic fibre sleeve coupling for connection to fan inlets or round ducts.

### Accessories

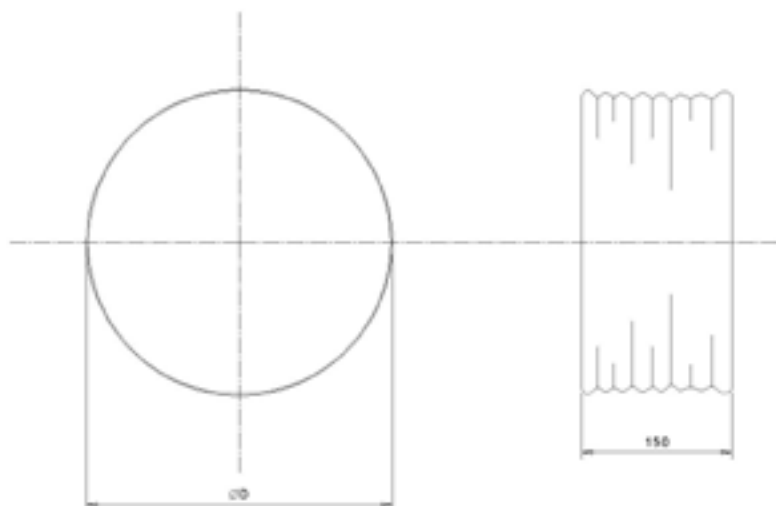
Clamping band KBAA

### Specifications

POBA, plastic fibre

AOBA Aluminium coated

Item No. = POBA	-	1	-	AAA
Item No. = AOBA	-	1	-	AAA
<b>Size (Ø / Fan FML, FKL)</b>				
Ø 254 / FML 025				025
Ø 319 / FML 031				031
Ø 404 / FML 039, 040, 044, 045				040
Ø 504 / FML 050				050
Ø 630 / FML 063, 071, 072				063
Ø 714 / FML 080				071
Ø 804 / FKL 090				080
Ø 904 / FKL 100, 101				090
Ø 1,004 / FKL 112				100
Ø 1,124 / FKL 125				112
Ø 1254 / FKL 132, 140, 141				125



## Sleeve coupling SRGA, ARGA, RRAA

Plastic fibre sleeve coupling SRGA. Tmax = 80°C

Aluminium covered fibreglass sleeve coupling ARGA.  
Tmax = 350°C

Durable flue gas sleeve coupling T-max 400°C

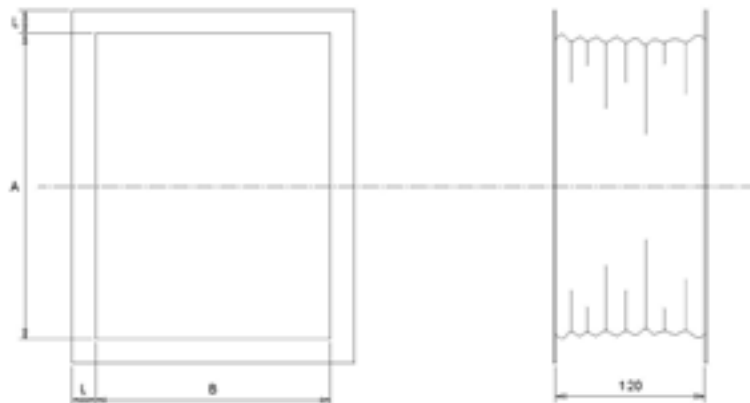
SRGA and ARGA are designed for rectangular ducts and fan outlets with a flange connection.

## Accessories

Flange FRCA

## Dimensions

SRGA / ARGA	A	B	L
010	104	84	30
012	129	104	30
016	164	129	30
020	204	164	30
025	254	204	30
031	319	254	30
040	404	319	30
050	504	404	30
063	636	506	40
071	716	566	40
080	806	636	40
090	906	716	40
100	1,006	806	40
112	1,126	906	50



## Specifications

SRGA, plastic fibre sleeve coupling  
ARGA, aluminium coated fibreglass

Item No. = SRGA	-	1	-	AAA
Item No. = ARGA	-	1	-	AAA
<b>Size</b>				
010				010
012				012
016				016
020				020
025				025
031				031
040				040
050				050
063				063
071				071
080				080
090				090
100				100
112				112



## Sleeve coupling POAA, AOAA, ROAA

Plastic fibre sleeve coupling POAA. Tmax = 80°C

Aluminium covered fibreglass sleeve coupling AOAA. Tmax = 350°C

Durable flue gas sleeve coupling T-max 400°C

The POAA and AOAA are designed for round ducts and fan outlets with a flange connection.

## Accessories

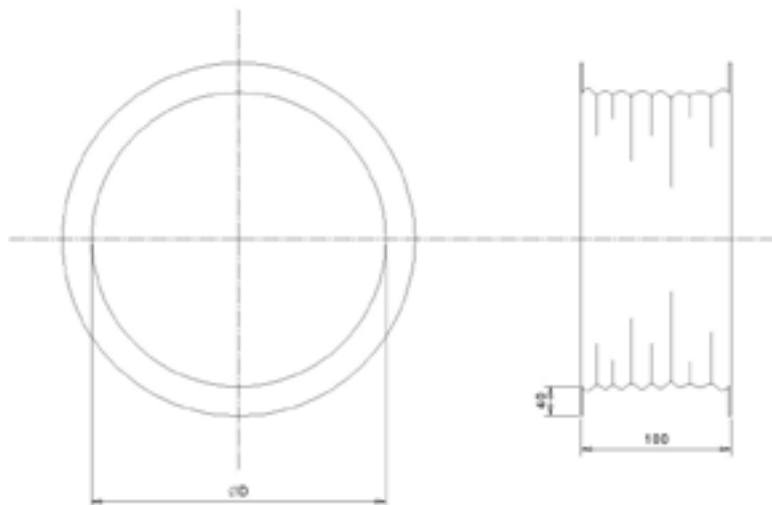
Flange FODA.

## Specifications

POAA , plastic fibre sleeve coupling

AOAA, aluminium coated fibreglass

Item No. = POAA	-	1	-	AAA
Item No. = AOAA	-	1	-	AAA
<b>Size</b>				
Ø 100				010
Ø 125				012
Ø 160				016
Ø 200				020
Ø 250				025
Ø 310				031
Ø 350				035
Ø 400				040
Ø 450				045
Ø 500				050
Ø 560				056
Ø 600				060
Ø 630				063
Ø 710				071
Ø 800				080
Ø 900				090
Ø 1,000				100
Ø 1,120				112



## Vibration damper LDTA

### Use

LDTA is primarily recommended when soft suspension is required in order to provide good insulation against low interfering frequencies.

### Properties

It is important to use a washer that is larger than the top plate that absorbs the deformation of the rubber during loading. The washer should be approx. 20% larger than diameter D according to the figure below.

Corrosion protection. Excellent even in marine environments. All steel parts are electrozinc plated and chromated 8Fe/Zn 8C3 according to ISO 2081.

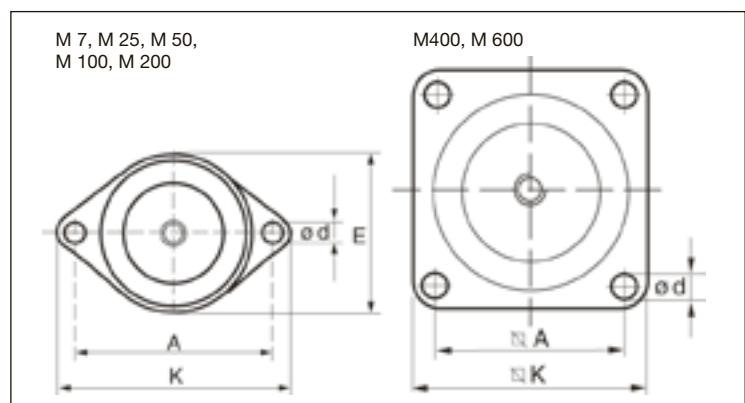
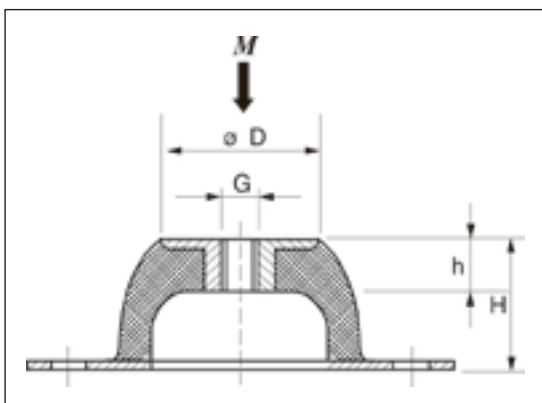


### Dimensions LDTA

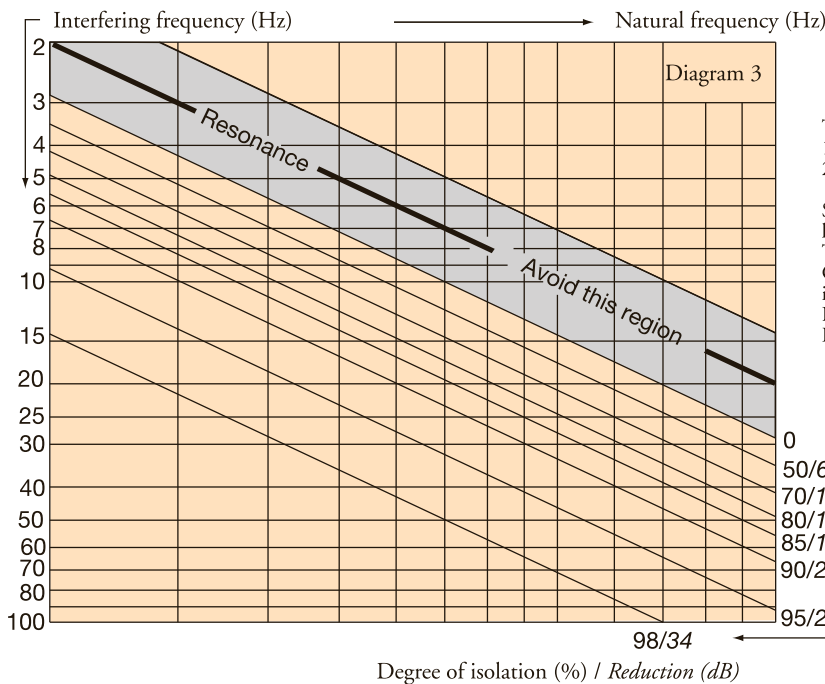
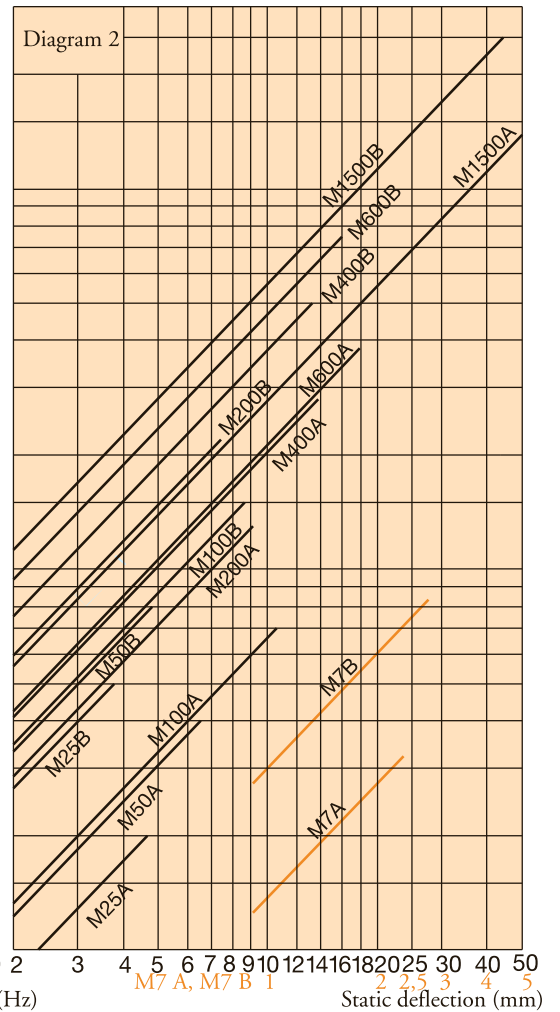
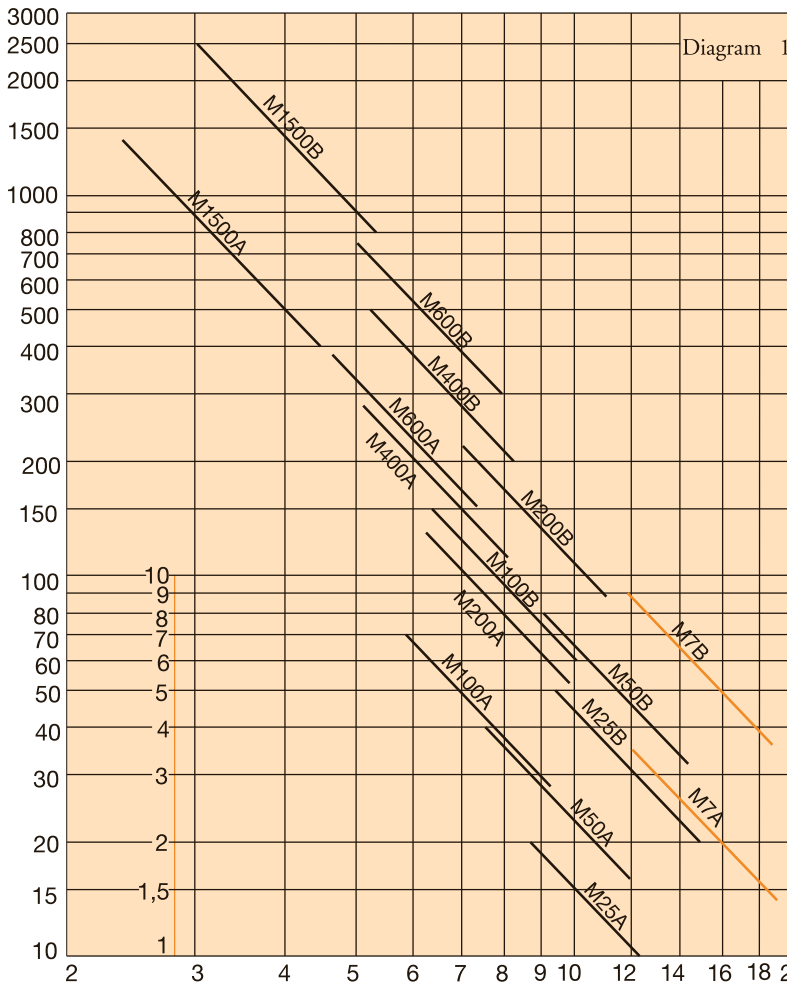
LDTA-D	D	E	A	K	H	h	d	T	G	Weight [kg]
025	33	56	66	85	25	11	8	2	M8	0.07
050	45	76	92	114	35	14	10	2	M10	0.16
100	53	96	110	136	40	15	11.5	2	M10	0.26
200	58	101	124	151	45	13	11.5	3	M10	0.42
400	78		120	150	63	18	14.5	3	M12	1.06
600	100		160	200	85	25	14.5	3	M16	2.35

### Specifications LDTA

Item No. = LDTA - D - AAA - B	D	AAA	B
<b>Size</b>			
025		025	
050		050	
100		100	
200		200	
400		400	
600		600	
<b>Version</b>			
Hardness A			A
Hardness B			B



Load per mounting (kg)  
M25 – M1500



To select correct mounting, following data are needed:

- 1) Load per mounting (kg)
- 2) Interfering frequency (Hz)  
(Hz = rpm / 60)

Select correct load line in diagram 1 and correct interference line in diagram 3.

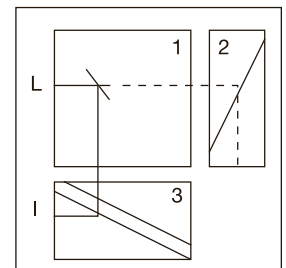
The load line intersects with required type of mounting.

Connect this intersection point vertically down to the

interference line in diagram 3.

Here, on the sloping curve, the isolation degree is indicated.

For static deflection, see diagram 2.



## Specifications V-belt drive KRVX

Item No. = KRVX	-	A	-	BB
<b>Pole number/rotational speed (Electric motor)</b>				
2 / 3,000 rpm		2		
4 / 1,500 rpm		4		
6 / 1,000 rpm		6		
8 / 750 rpm		8		
<b>Power</b>				
0-0.75 kW				008
1.1-2.2 kW				011
3-5.5 kW				015
7.5-11 kW				018
15 kW				019
18.5 kW				020
22 kW				021
30 kW				022
37 kW				023
45 kW				024
55 kW				025
75 kW				026
90 kW				027
110 kW				028
132 kW				029
160 kW				030
185 kW				031
200 kW				032