

Flue gas fan RGFA

Model

Flue gas fan RGFA

The RGFA flue gas fan is intended for transport of hot gases up to 400°C. The fan is easy to mount since it is attached directly to the flue gas line and can be placed with optional blow-off direction. The fan should be installed in normal ambient temperature, max. 40°C.

Facts

Flow range: 0.08–0.55 m³/s

Pressure range: 30–800 Pa

Max. gas temp.: 400°C

Type of impeller: Radial with straight, radial blades.

Where greater flow ranges or higher pressures than above are required, special flue gas fans can be manufactured.

Design

The fan is delivered fully ready to be installed.

The fan is an all-welded design and is normally delivered lacquered.

The patented cooling hub provides effective protection for heat transfer to the motor. The hub, which is air-cooled, provides a simple and compact design with low operating costs.

As standard, the inlet is equipped with an inlet damper.



RGFA

Specifications

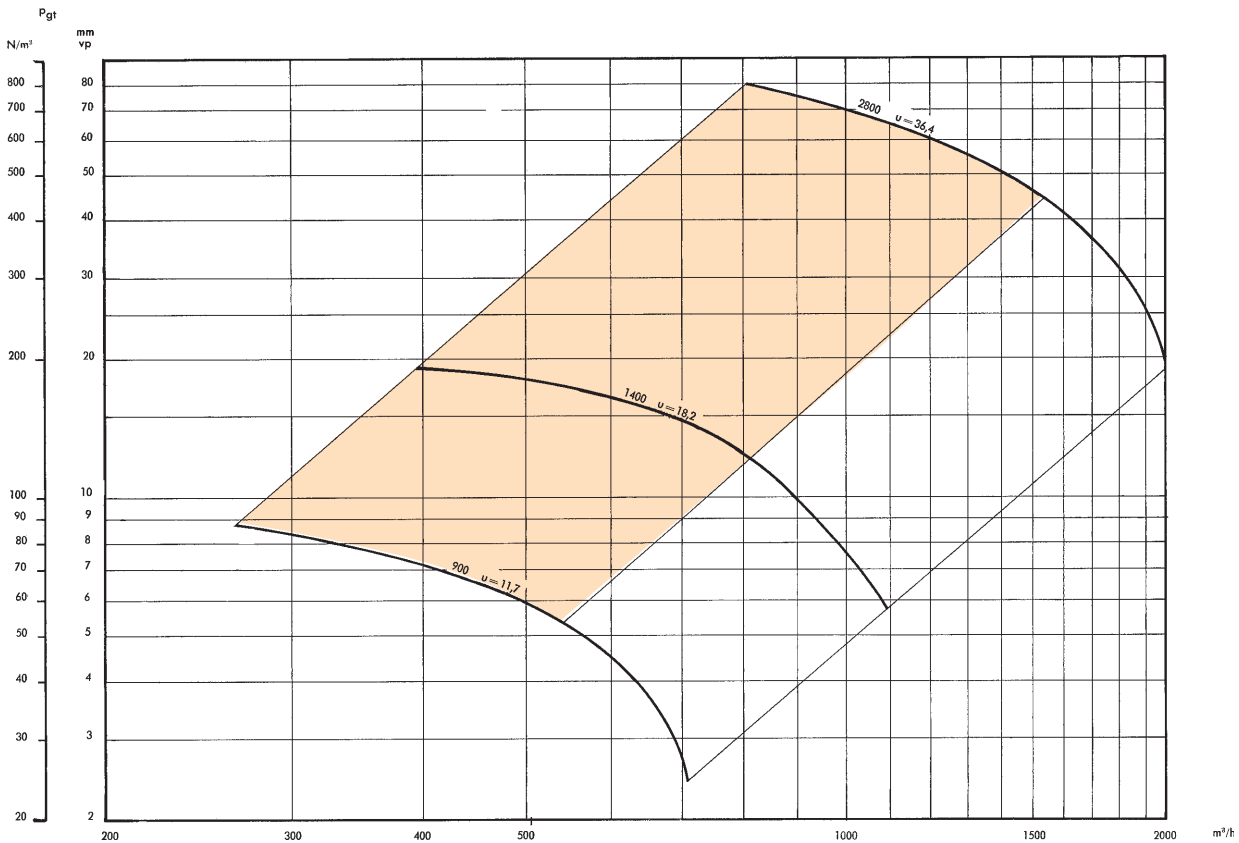
Item No. / Fan code =	RGFA-1-020	- A	- B	- C
Rotational speed [rpm]				
1,000		6		
1,500		4		
3,000		2		
Voltage				
3 × 230/400 V			1	
3 × 500 V			3	
230V 1-phase, for speed control			4	
3 × 230/400 V Thermo-contact			8	
Inlet damper				
Without				0
With				1

Optional accessories

No.	Designation	Item number	Comment
1	Protective guard Inlet FA, LPM	GOCA1020	
2	Flue gas sleeve coupling, inlet L = 100 flange	ROAA1020	
3	Flange inlet, painted	FODA10201	
4	Thyristor control	VARV15	Only for 1-phase 230 V motor

Capacity

Diagram and table apply for air with a density of 1.2 kg/m³.

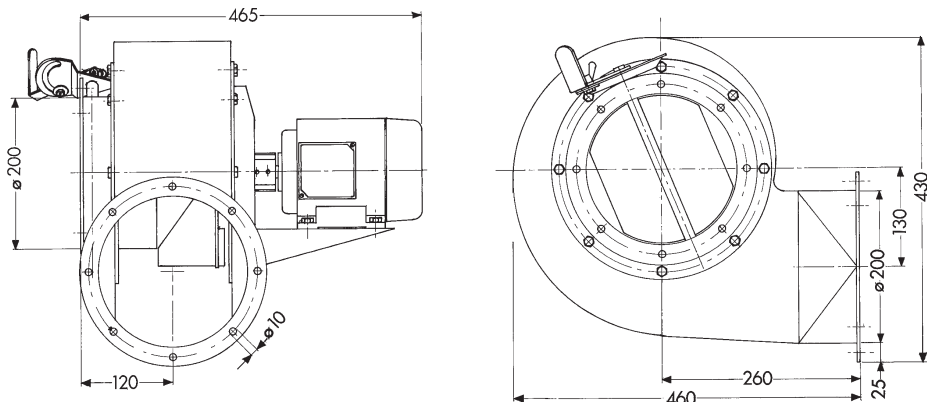


Motor data

RGFA	Motor Rotational speed (rpm)	Motor (kW)	Power	Motor Nominal current 230 V	Motor Nominal current 400 V	Total pressure mmwc 5	Total pressure mmwc 6	Total pressure mmwc 7
020-6	1,000	0.18		1.34	0.77	570	490	420
020-4	1,500	0.25		1.36	0.78		1,080	1,030
020-2	3,000	0.55		2.05	1.18			

RGFA	Total pressure mmwc 12	Total pressure mmwc 14	Total pressure mmwc 16	Total pressure mmwc 25	Total pressure mmwc 40	Total pressure mmwc 60	Total pressure mmwc 70
020-6							
020-4	830	730	650				
020-2			2,200	1,900	1,630	1,200	1,000

Dimensions



We reserve the right to make changes without prior notification.

Åkerstedts Verkstads AB, Broholm 1, SE-535 91 Kvänum, Sweden. Tel: +46 (0)512-325 60. www.akerstedts.com